

FIXTURE SPECIFICATIONS

INTENDED USE

The specification grade Alcon Lighting Acropolis Architectural LED Step Light Flush Mount Fixture delivers ambient and practical lighting to stairs, stairwells, and decks in interior and exterior applications. The low voltage Acropolis LED Step Light improves visibility and adds an inviting glow to your residential or commercial space. Step lights can be used to enhance your landscape, amplify your deck lighting when entertaining, for commercial exterior lighting, or simply to feel more secure knowing your staircase is brightly lit.

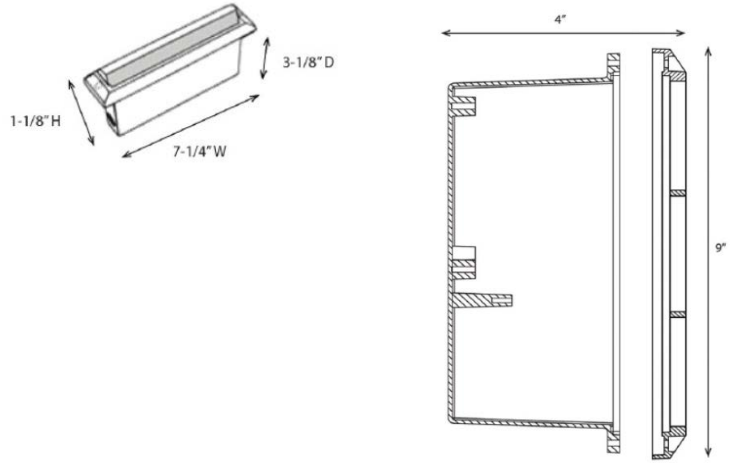


PRODUCT FAMILY ACCESSORIES

- SST40W** | 40W Transformer
- SST75W** | 75W Transformer
- SST100W** | 100W Transformer
- SST200W** | 200W Transformer
- SST300W** | 300W Transformer

FEATURES

- Construction:** Die-Cast Brass
- Lens:** Linear Hood with Frosted Lens
- Dimensions:** W 9" x D 4" x H 2"
- Bulb:** Fixture Supplied with 2x (1.5W or 3.0W) Wedge Base LED Lamps
- Wiring:** 18" of #18-2, SPT-1W Leads
- Voltage:** 12V
- Color Temperature:** 2700K Warm
- Power:** Remote 12 Volt Transformer Required
- Warranty:** Lifetime Warranty on Fixture, 40,000 Hours on LED



ORDERING INFORMATION Example: (9203-F-20-AB)

Model	Wattage	Finish
9203-F	20 (1.5 watts <i>Standard</i> Equivalent to 20W Halogen) x 2	AB Antique Bronze SL Silver
	35 (3 watts Equivalent to 35W Halogen) x 2	